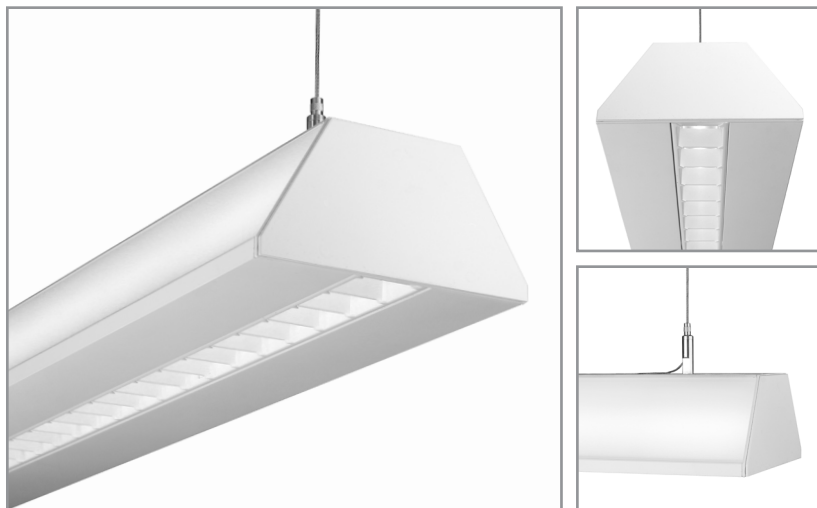


BC8781 | SECRET MENU

3" x 6" direct/indirect LED luminaire

Project: _____ Type: _____



FEATURES

The BC8781 direct/indirect suspended linear luminaire features three light sources within a unique 3" high by 6" wide trapezoidal form factor. Each leg of the isosceles trapezoid contains a 3" wide diffuse light source. A 1-1/4" wide source located on the lower base directs light downward with options of a regressed acrylic diffuser or flat blade louver optic.

SPECIFICATIONS

Fixture constructed of extruded aluminum, sheet formed material and extruded acrylic lenses.

The 3"H x 6"W isosceles trapezoidal profile houses a 1-1/4" wide direct light source and dual 3" wide indirect sources.

The direct source is available with a regressed extruded acrylic diffuser or flat blade louver optic.

Standard finishes as shown below.

Available as single fixtures in nominal 4', 6' and 8' lengths.

Standard integral 120-277V driver offered with 0-10V dimming or non-dim (other dimming driver options available).

Integral 120-277V emergency battery backup available for single circuit non-dim or 0-10V configured fixtures (consult factory for all other lengths/drivers).

Light performance pending laboratory testing.

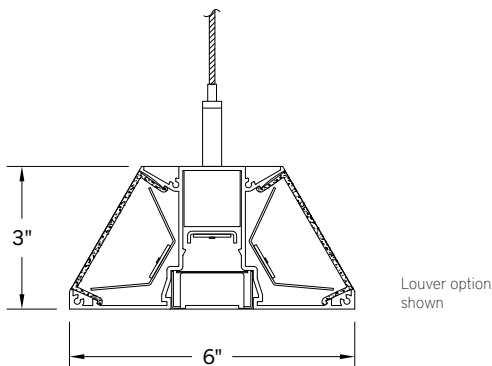
LEDs available in 2700K, 3000K, 3500K and 4000K, within a 3 step MacAdam ellipse, all with 90+ CRI typical.

Life: 50,000 hours L₇₀.

Limited five year warranty.

UL and C-UL listed for dry and damp locations.

SECTION



BC8781 -

NOMINAL FIXTURE LENGTH* 4: 48-7/8" 6: 72-7/8" 8: 96-7/8"	DRIVER ND: non-dimming [Dimming] D: 0-10V, 1% DTR: triac, 1%, (120V ONLY) DLV: electronic low voltage, 1%, (120V ONLY) HES: Lutron EcoSystem, soft-on/fade-to-black, 1% EL: eldoLED ECOdrive 0-10V, 1% ES: eldoLED SOLOdrive 0-10V, 0.1% ELD: eldoLED ECOdrive DALI, 1% ESD: eldoLED SOLOdrive DALI, 0.1%	CIRCUIT 1: single circuit 2: two circuit	INDIRECT LIGHT OUTPUT L: low R: regular H: high CF: consult factory for custom output	INDIRECT OPTIC 1: Lambertian distribution	DIRECT OPTIC R: regressed diffuse L: louver	RUN CONFIGURATION SN: single	FINISH AW: architectural white (semi-matte) WH: white (semi-gloss) BL: black (semi-matte) MB: matte black ESS: environmental satin silver BZ: bronze PR: primer CF: consult factory for custom finish
CORRELATED COLOR TEMPERATURE 27: 2700K-90+ CRI 30: 3000K-90+ CRI 35: 3500K-90+ CRI 40: 4000K-90+ CRI				DIRECT LIGHT OUTPUT L: low R: regular H: high CF: consult factory for custom output	MOUNT C4: cable mount 4' cable length C8: cable mount 8' cable length	OPTIONS ED: emergency driver (SINGLE CIRCUIT, non-dim or 0-10V only)	

* Actual dimension dependent on mounting and run configuration.

INDIRECT OPTIC

ORDERING CODE	DESCRIPTION	SPECIFICATIONS
---------------	-------------	----------------

1	LAMBERTIAN	Dual 3" W frosted acrylic extrusions
---	------------	--------------------------------------

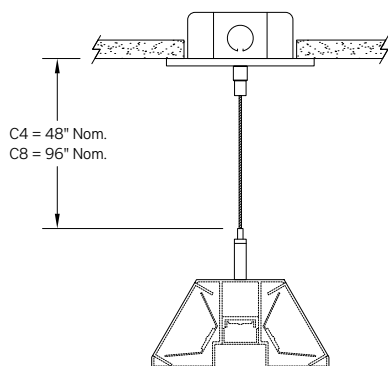
DIRECT OPTIC

ORDERING CODE	DESCRIPTION	SPECIFICATIONS
---------------	-------------	----------------

R	REGRESSED DIFFUSE LENS	1-1/4" W frosted acrylic extrusion
L	LOUVER	<ul style="list-style-type: none"> 1-1/4" W flat blade louver with 11/16" blades at 1-1/4" spacing, formed from sheet steel. Finish is Environmental Satin Silver (consult factory for alternate finishes).

MOUNTING

ORDERING CODE	DESCRIPTION
---------------	-------------



C4 and C8	CABLE MOUNT
-----------	-------------

Mounting option includes:

- \varnothing 5/64" x 48" (C4) or 96" (C8) aircraft cables
- 60" (C4) or 108" (C8) power cable in coordinating finish
- Bracket bars
- \varnothing 5" white canopies
- Ceiling couplers
- Side exit cable grippers

NOTE: WHEN DUAL CIRCUIT OPTION IS USED, TWO POWER CABLES ARE REQUIRED.

OPTIONS

ORDERING CODE DESCRIPTION SPECIFICATIONS



ED EMERGENCY LED DRIVER

- Universal 120-277V input voltage emergency driver delivers initial minimum power of 10W for 90 minutes.
- Available for SINGLE CIRCUIT, non-dim or 0-10V fixture and direct light source only (consult factory for all other lengths/drivers).
- Indicator/test switch located on top, 2" from an end.

LENGTH / MOUNTING DIMENSIONS

ORDERING CODE	LENGTH A
4	42-7/8"
6	66-7/8"
8	90-7/8"

RUN CONFIGURATION INFORMATION

ORDERING CODE	DESCRIPTION
SN	Single
ST	Starter
AD	Adder
TR	Terminator

RUN INFORMATION

Side View - Single Fixture

