

BSS430-P | **wake**

3" wide aperture perimeter LED luminaire

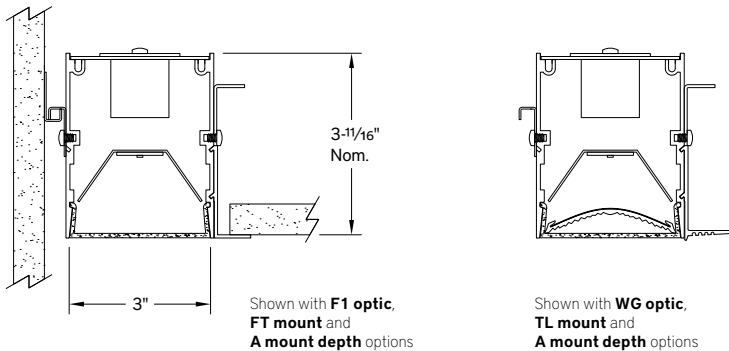


Project: _____ Type: _____



Highlighted fields denote QuickShip Options. See complete 7-Day QuickShip Terms and Conditions available at www.bartcolighting.com/quickship-products/. Purchase order must reference "QuickShip".

SECTION



FEATURES

A member of the Wake series, the BSS430-P provides continuous linear lighting for perimeter applications. The 3" wide aperture luminaire is available for installation in common grid or hard ceilings with flange and trimless variants. In addition to straight lighting runs, inside and outside corner units are available at 90° and 135° angles.

Fixture with certain options available for 7-Day QuickShip.

SPECIFICATIONS

Fixture housing and trim elements made of extruded aluminum and sheet steel and aluminum parts

Available for installation in typical 9/16" and 15/16" grid ceilings or drywall ceilings with flange and trimless options

Fixtures available in straight lengths of nominal 2'-8", 90° or 135° inside and outside corners and two field-trimmable filler units

Basic continuous run fixtures provided with 18 ga. wiring harness for 6 Amp maximum load (consult factory for runs requiring multiple circuits, etc.)

Available with Lambertian or wall graze optic options

Standard integral 120-277V driver offered with 0-10V dimming or non-dim (other dimming driver options available)

Integral 120-277V emergency battery backup available for 48" or 96" fixtures (supplied with remote test switch/indicator plate assembly)

Performance pending laboratory tests.

LEDs available in 2700K, 3000K, 3500K, and 4000K, within a 3 step MacAdam ellipse, all with 90+ CRI typical

Life: 50,000 hours L₇₀

Chicago plenum rated option available

Nominal weight is 2.5 lbs. per foot

Limited five year warranty

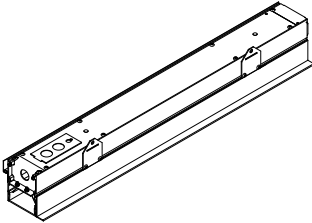
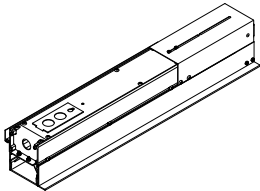
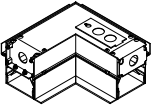
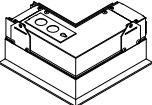
UL and C-UL listed for dry and damp locations



BSS430-P -

SHAPE	CORRELATED COLOR TEMPERATURE	DRIVER	LIGHT OUTPUT (lumens per foot)	OPTIC	MOUNT	MOUNT DEPTH	OPTIONS
STR_#‡: straight run (specify run from 2'-50' to the nearest 1") F1: Filler 12-1/4" - 17-5/8" F2: Filler 23-1/4" - 28-5/8" CI90: corner inside - 90° CO90: corner outside - 90° CI135: corner inside - 135° CO135: corner outside - 135°	27: 2700K-90+ CRI 30: 3000K-90+ CRI 35: 3500K-90+ CRI 40: 4000K-90+ CRI HES: Lutron EcoSystem, soft-on/fade-to-black, 1% EL: eldoLED ECOdrive 0-10V, 1% ES: eldoLED SOLOdrive 0-10V, 0.1% ELD: eldoLED ECOdrive DALI, 1% ESD: eldoLED SOLOdrive DALI, 0.1%	ND: non-dimming [Dimming] D: 0-10V, 1% DTR: triac, 1%, (120V ONLY) DLV: electronic low voltage, 1%, (120V ONLY)	L: low R: regular H: high CF: consult factory for custom output	F1: frosted flush WG: wall graze	T1: T-grid 9/16" T2: T-grid 15/16" FT: Flange trim TL: Trimless CF: consult factory for custom mounting	A: flush B: refer to table C: refer to table	CP: Chicago plenum** ED: emergency driver (48" or 96" non-dim or 0-10V only) CF: consult factory for custom finish options
			* Run configuration applicable to Straight and Filler Shapes. Corners are always adders. ** Not available for F1 or F2 filler fixtures. ‡ Specify run length to the nearest 1". Factory will configure using the least quantity of fixtures as close to the desired run length as possible without exceeding the length. Run to be confirmed with a shop drawing.			RUN CONFIGURATION* SN: single ST: starter AD: adder TR: terminator	

SHAPE

	ORDERING CODE	DESCRIPTION	SPECIFICATIONS
	STR_	STRAIGHT	<ul style="list-style-type: none"> Specify run from 2'-50' to the nearest 1" Driver is accessed through the aperture Mounting channel system accommodates minor variances in wall straightness
	F1 F2	FILLER	<ul style="list-style-type: none"> Available in two sizes (F1= 12-1/4" - 17-5/8" and F2= 23-1/4" - 28-5/8") to fill run lengths. Extrusion, trim elements and lens are field-trimmable for a custom fit Sliding reflector section adjusts to minimize gap between LED modules (1/2" maximum gap at either end) Depending on driver option, power is either integral or supplied by adjacent fixture (determined by Bartco Lighting in the quoting stage)
	CI90 CI135	CORNER INSIDE - 90° CORNER INSIDE - 135°	<ul style="list-style-type: none"> Extrusion provided assembled at 90° angle (CI90) or 135° (CI135) Power supplied by adjacent fixture (determined by Bartco Lighting in quoting stage)
	CO90 CO135	CORNER OUTSIDE - 90° CORNER OUTSIDE - 135°	<ul style="list-style-type: none"> Extrusion provided assembled at 90° angle (CO90) or 135° (CO135) Power supplied by adjacent fixture (determined by Bartco Lighting in quoting stage)

OPTIC

	ORDERING CODE	DESCRIPTION	SPECIFICATIONS
	F1	FLUSH FROSTED LENS	3" wide frosted acrylic extrusion
	WG	WALL GRAZE LENS	<ul style="list-style-type: none"> Multi-element optic system comprised of an engineered prismatic lens with linear diffusion film, and a clear flush lens Distribution is controlled and very narrow with maximum Candela focused at 3° from nadir

MOUNTING

ORDERING CODE

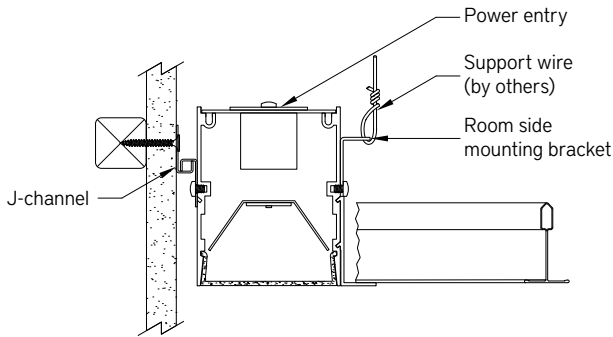
DESCRIPTION

SPECIFICATIONS

T1
T2

T-GRID CEILING 9/16"
T-GRID CEILING 15/16"

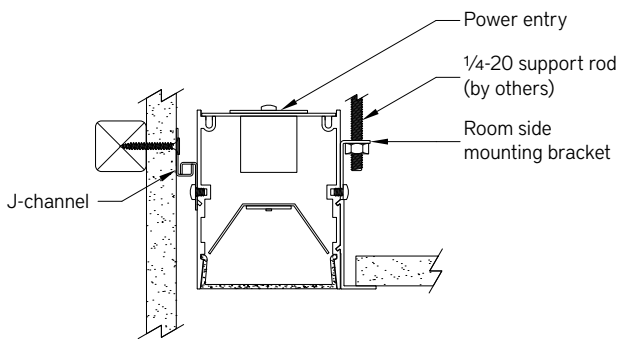
- Fixtures interface with common flat, regular and slotted t-grid types
- Fixture hangs on provided heavy gauge j-channel, mounted to wall surface
- Housing additionally secured with support wires or 1/4-20 threaded rod (by others)



FT

FLANGE - DRYWALL
CEILING

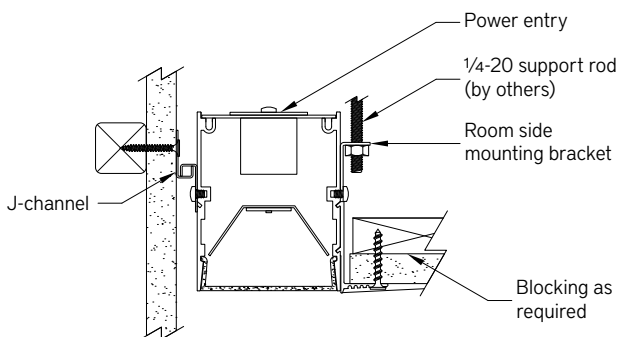
- Installs before 1/2" or 5/8" drywall
- 3/4" wide extruded aluminum trim flange in matte white finish
- Fixture hangs on provided heavy gauge j-channel, mounted to wall surface
- Housing additionally secured with 1/4-20 threaded rod (by others)



TL

TRIMLESS - DRYWALL
CEILING

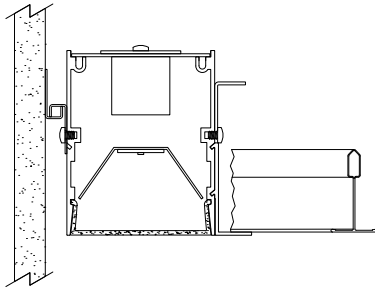
- Installs before 1/2" or 5/8" drywall
- Fixture hangs on provided heavy gauge j-channel, mounted to wall surface
- Housing additionally secured with support wires or 1/4-20 threaded rod and self-tapping drywall screws (by others) into blocking as required



MOUNTING DEPTH

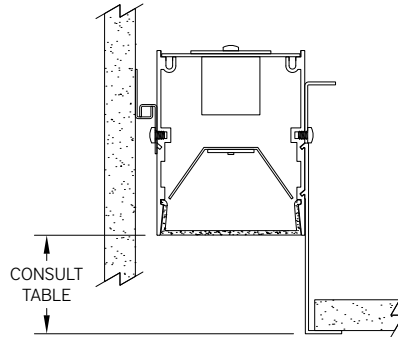
T1, T2

"A" option depth shown – FLUSH



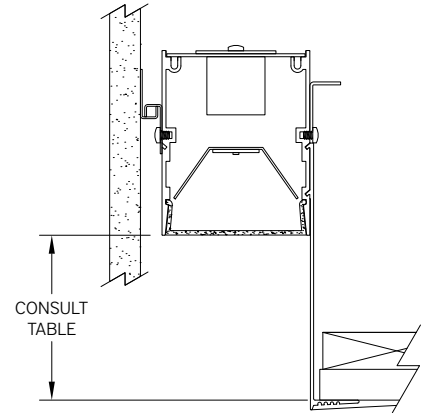
FT

"B" option depth shown



TL

"C" option depth shown



Three standard mounting depths above the ceiling plane are available. The measurement shown is the distance from the ceiling plane to the wall edge of the luminaire aperture.

DEPTH OPTION ORDERING CODE	MOUNT ORDERING CODE		
	T1, T2	FT	TL
A	FLUSH	FLUSH	FLUSH
B	1-15/16"	1-15/16"	1-7/8"
B	3-7/16"	3-7/16"	3-3/8"

OPTIONS

ORDERING CODE

DESCRIPTION

SPECIFICATIONS



ED

EMERGENCY LED DRIVER

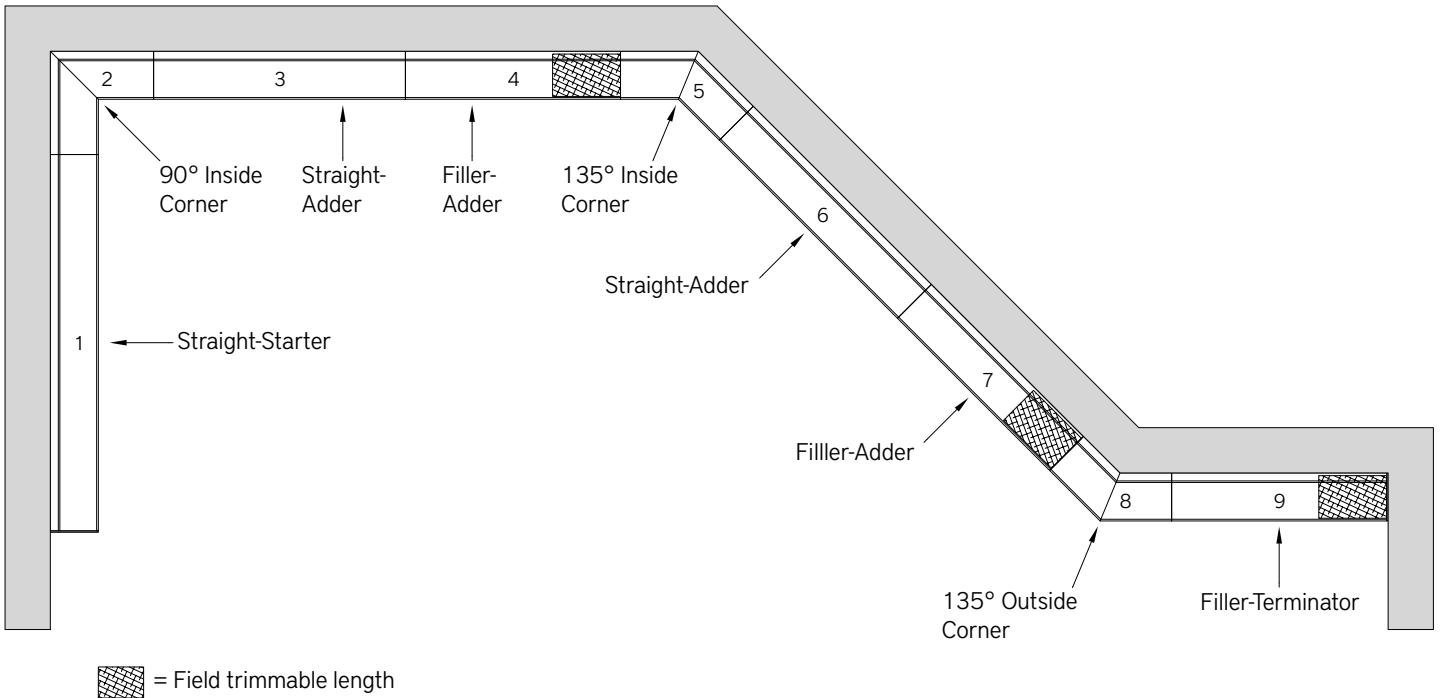
- Universal 120-277V input voltage emergency driver delivers initial minimum power of 10W for 90 minutes
- Available for 48" or 96" length non-dim or 0-10V fixture only (consult factory for all other lengths)
- Provided with combination test switch/indicator light mounted to wall plate for remote installation

Note: remote battery backup available for shorter fixture lengths - ordered separately, consult factory for details

LAYOUT EXAMPLE

After installing mounting channels around the perimeter, install the corner fixtures, followed by straight fixtures. Trim the filler fixtures to fit remaining run lengths and place onto the mounting channel.

IMPORTANT: Provide fixture layout with run lengths to Bartco Lighting. Factory will determine the optimal individual Straight, Filler and Corner fixtures for the layout.



Partial Model Number Examples

	PARTIAL MODEL NUMBER	KEY DESCRIPTIONS
1	BSS430-P-STR44-XX-XX-X-XX-XX-X-ST	Straight 44" Nom., Starter
2	BSS430-P-C90-XX-XX-X-XX-XX-X-XX-AD	90° Insider Corner
3	BSS430-P- STR33-XX-XX-X-XX-XX-X-AD	Straight 33" Nom., Adder
4	BSS430-P-F2-XX-XX-X-XX-XX-X-AD	Filler 17-3/4" – 23-1/4" size, Adder
5	BSS430-P-CI135-XX-XX-X-XX-XX-X-AD	135° Insider Corner
6	BSS430-P- STR33-XX-XX-X-XX-XX-X-AD	Straight 33" Nom., Adder
7	BSS430-P- F1-XX-XX-X-XX-XX-X-AD	Filler 12-1/4" – 17-3/4" size, Adder
8	BSS430-P- CO135-XX-XX-X-XX-XX-X-AD	135° Outsider Corner
9	BSS430-P- F1-XX-XX-X-XX-XX-X-TR	Filler 12-1/4" – 17-3/4" size, Terminator