

Project: _____ Type: _____



FEATURES

The BWG400 is a recessed wall graze luminaire with a 3" wide aperture. The visually quiet fixture integrates with typical hard and grid ceiling systems. An optically engineered extruded aluminum reflector with proprietary micro finish anodized coating and internal shielding produce a very narrow asymmetric distribution, specifically optimized for grazing adjacent surfaces.

SPECIFICATIONS

Fixture housing and trim elements made of extruded aluminum and sheet steel and aluminum parts

An optically designed extruded aluminum reflector with proprietary anodized finish and laser cut shielding components work to produce a very narrow asymmetric distribution.

Available for installation in typical 9/16" and 15/16" grid ceilings or drywall ceilings with flange and trimless options

Heavy gauge, steel brackets lock fixture housing to included j-rail mounting channel

Fixtures available in straight lengths of nominal 2'-8", 90° or 135° inside and outside corners and two field-trimmable filler units

Basic continuous run fixtures provided with 18 ga. wiring harness for 6 Amp maximum load (consult factory for runs requiring greater amperage)

Standard integral 120-277V driver offered with 0-10V dimming or non-dim (other dimming driver options available)

Integral 120-277V emergency battery backup available for 48" or 96" fixtures (supplied with remote test switch/indicator plate assembly)

Standard light outputs are 370, 505 or 765 lumens per foot

LEDs available in 2700K, 3000K, 3500K, and 4000K, within a 3 step MacAdam ellipse, all with 90+ CRI typical

Life: 50,000 hours L₇₀

Chicago plenum rated option available

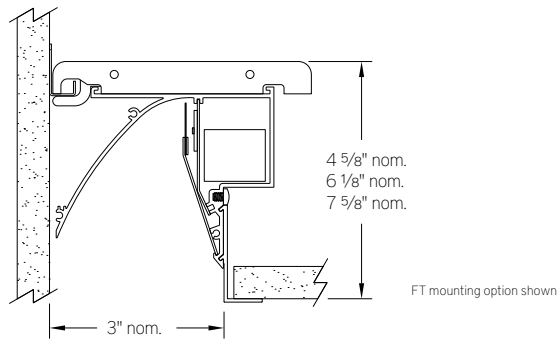
Nominal weight is 2.1 lbs. per foot

Limited five year warranty

UL and C-UL listed for dry and damp locations



SECTIONS



PERFORMANCE

Note: All data reflects fixture with 3500K LEDs

NOMINAL LENGTH	OUTPUT	LUMENS/ft.	WATTS/ft.	LUMINAIRE LUMENS	EFFICACY (LPW)
4'	L: low	370	5.0	1503	74
	R: regular	505	7.0	2046	72
	H: high	765	11.3	3107	67

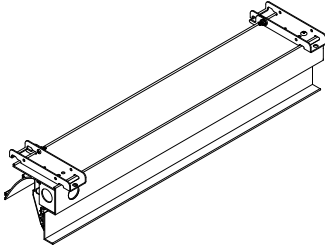
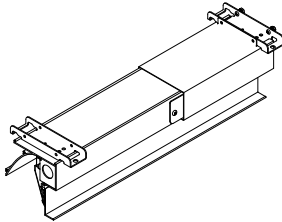
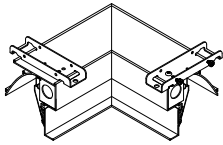
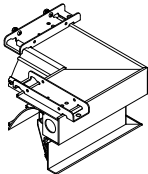
BWG400 -

SHAPE	CORRELATED COLOR TEMPERATURE	DRIVER	LIGHT OUTPUT (lumens per foot)	MOUNT	MOUNT DEPTH	OPTIONS
22: straight 22-1/4" 33: straight 33-1/4" 44: straight 44-1/4" 55: straight 55-1/4" 66: straight 66-1/4" 77: straight 77-1/4" 88: straight 88-1/4" F1: Filler 12-1/4" - 17-3/4" F2: Filler 17-3/4" - 23-1/4" CI90: corner inside - 90° CO90: corner outside - 90° CI135: corner inside - 135° CO135: corner outside - 135°	27: 2700K-90+ CRI 30: 3000K-90+ CRI 35: 3500K-90+ CRI 40: 4000K-90+ CRI	ND: non-dimming [Dimming] D: 0-10V, 1% DTR: triac, 1%, (120V ONLY) DLV: electronic low voltage, 1%, (120V ONLY) HES: Lutron EcoSystem, soft-on/fade-to-black, 1% EL: eldoLED ECOdrive 0-10V, 1% ES: eldoLED SOLOdrive 0-10V, 0.1% ELD: eldoLED ECOdrive DALI, 1% ESD: eldoLED SOLOdrive DALI, 0.1%	L: low - 370 R: regular - 505 H: high - 765 CF: consult factory for custom output	T1: T-grid 9/16" T2: T-grid 15/16" FT: Flange trim TL: Trimless CF: consult factory for custom mounting	A: refer to table B: refer to table C: refer to table	CP: Chicago plenum** ED: emergency driver (48" or 96" non-dim or 0-10V only) RUN CONFIGURATION* SN: single ST: starter AD: adder TR: terminator

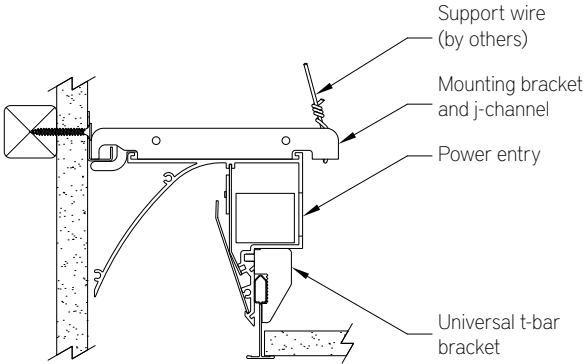
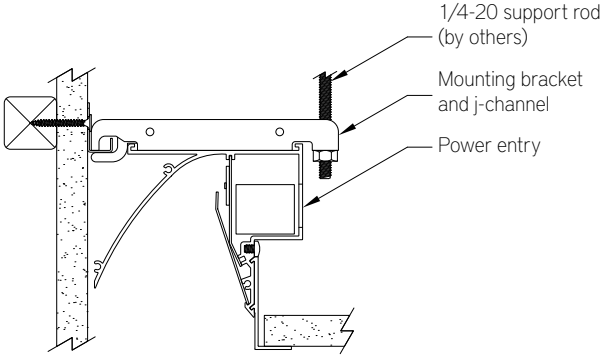
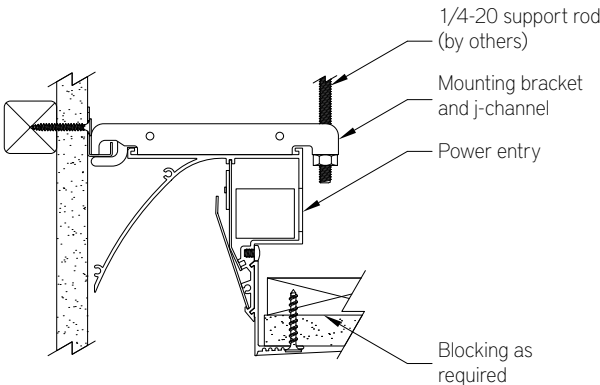
* Run configuration applicable to Straight and Filler shapes. Corners are always adders.

** Not available for F1 or F2 filler fixtures.

SHAPE

	ORDERING CODE	DESCRIPTION	SPECIFICATIONS
	22, 33, 44, 55, 66, 77, 88	STRAIGHT	<ul style="list-style-type: none"> Available in lengths of 22-1/4", 33-1/4", 44-1/4", 55-1/4", 66-1/4", 77-1/4", 88-1/4" Top mounting brackets also align fixtures in a continuous run Power entry hole provided on the back side, near an end
	F1 F2	FILLER, SHORT FILLER, LONG	<ul style="list-style-type: none"> Available in two sizes (F1=13"-19" and F2=19"-25") to fill run lengths. Extrusion and shield are field-trimmed for a custom fit Sliding reflector section adjusts to minimize gap between LED modules (1/2" maximum gap at either end) Depending on driver option, power is either integral or supplied by adjacent fixture (determined by Bartco Lighting in the quoting stage)
	CI90 CI135	CORNER INSIDE - 90° CORNER INSIDE - 135°	<ul style="list-style-type: none"> Extrusion provided assembled at 90° angle (CI90) or 135° (CI135) Power supplied by adjacent fixture (determined by Bartco Lighting in quoting stage)
	CO90 CO135	CORNER OUTSIDE - 90° CORNER OUTSIDE - 135°	<ul style="list-style-type: none"> Extrusion provided assembled at 90° angle (CO90) or 135° (CO135) Power supplied by adjacent fixture (determined by Bartco Lighting in quoting stage)

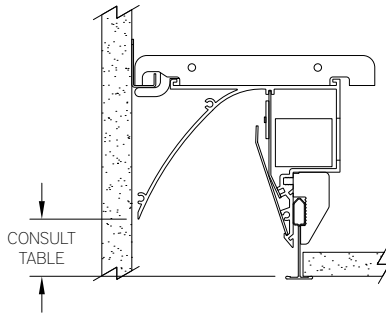
MOUNTING

ORDERING CODE	DESCRIPTION	SPECIFICATIONS
<p>T1 T2</p> 	<p>T-GRID CEILING 9/16" T-GRID CEILING 15/16"</p>	<ul style="list-style-type: none"> • Fixtures interface with common flat, regular and slotted t-grid types • A clasp feature locks the top bracket to provided heavy gauge j-channel, mounted to wall surface • Housing secured with support wires or 1/4-20 threaded rod (by others)
<p>FT</p> 	<p>FLANGE - DRYWALL CEILING</p>	<ul style="list-style-type: none"> • Installs before 1/2" or 5/8" drywall • 3/4" wide extruded aluminum trim flange in matte white finish • A clasp feature locks the top bracket to provided heavy gauge j-channel, mounted to wall surface • Housing secured with 1/4-20 threaded rod (by others)
<p>TL</p> 	<p>TRIMLESS - DRYWALL CEILING</p>	<ul style="list-style-type: none"> • Installs before 1/2" or 5/8" drywall • Top bracket locks to provided heavy gauge j-channel mounted to wall surface • Housing secured with support wires or 1/4-20 threaded rod and self-tapping drywall screws (by others) into blocking as required

MOUNTING DEPTH

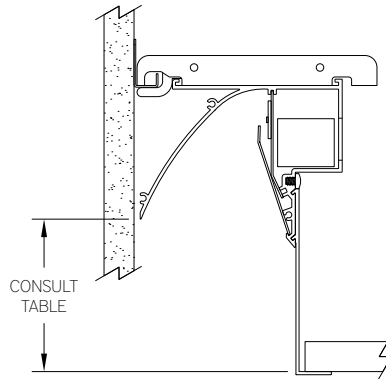
T1, T2

"A" option depth shown



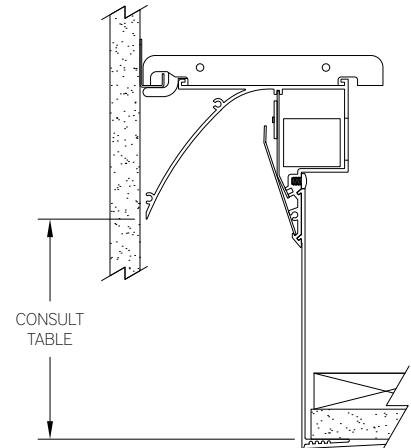
FT

"B" option depth shown



TL

"C" option depth shown




Three standard mounting depths above the ceiling plane are available. The measurement shown is the distance from the ceiling plane to the wall edge of the luminaire aperture.

DEPTH OPTION ORDERING CODE	MOUNT ORDERING CODE		
	T1, T2	FT	TL
A	1-3/16" – 1-5/16"*	1-3/16"	1-1/16"
B	2-3/16" – 2-5/16"*	3-3/16"	3-1/16"
C	4-11/16" – 4-13/16"*	4-11/16"	4-9/16"

* Dimension dependent on t-grid type. Consult installation instructions for details.

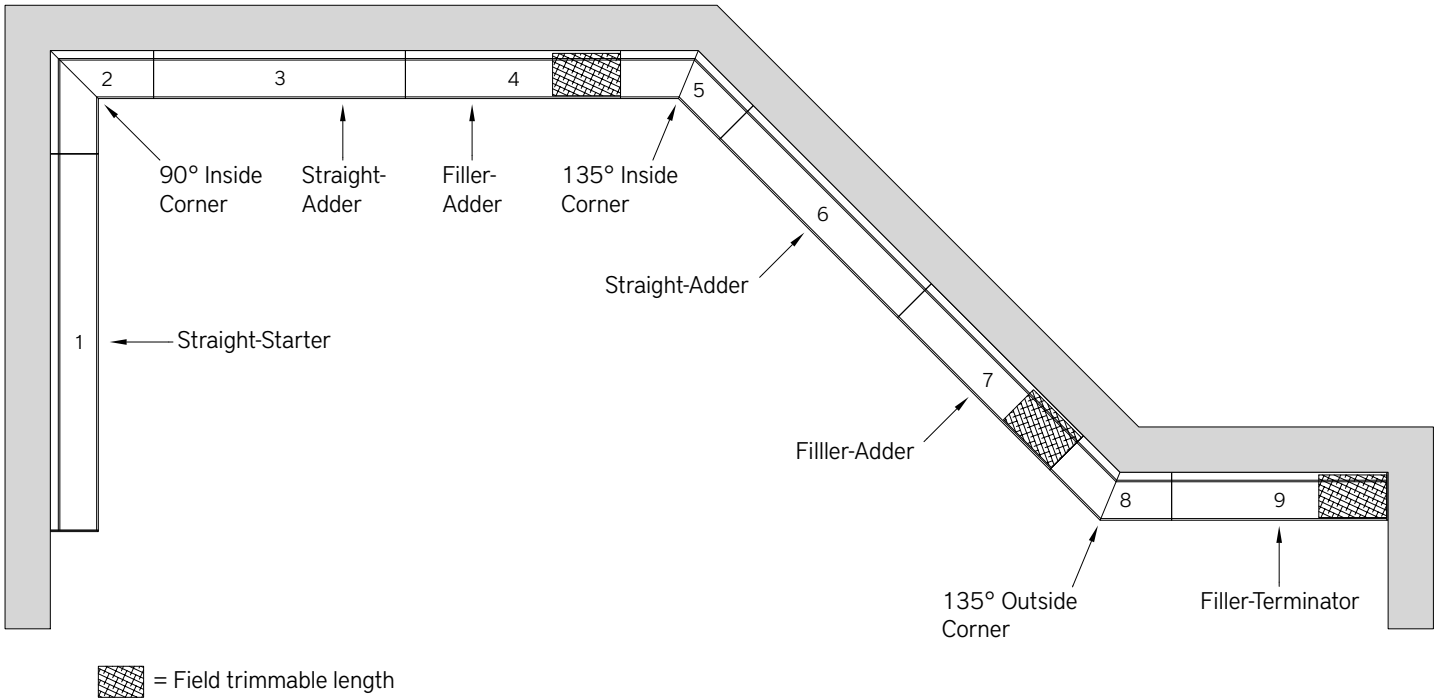
OPTIONS

	ORDERING CODE	DESCRIPTION	SPECIFICATIONS
	ED	EMERGENCY LED DRIVER	<ul style="list-style-type: none"> • Universal 120-277V input voltage emergency driver delivers initial minimum power of 10W for 90 minutes • Available for 48" or 96" length non-dim or 0-10V fixture only (consult factory for all other lengths) • Provided with combination test switch/indicator light mounted to wall plate for remote installation

Note: remote battery backup available for shorter fixture lengths - ordered separately, consult factory for details

LAYOUT EXAMPLE

After installing mounting channels around the perimeter, install the corner fixtures, followed by straight fixtures.
Trim the filler fixtures to fit remaining run lengths and place onto the mounting channel.
IMPORTANT: Provide finished layout to Bartco Lighting for verification



Partial Model Number Examples

	PARTIAL MODEL NUMBER	KEY DESCRIPTIONS
1	BWG400-44-XX-XX-X-XX-X-ST	Straight 44" Nom., Starter
2	BWG400-CI90-XX-XX-X-XX-X	90° Insider Corner
3	BWG400-33-XX-XX-X-XX-X-AD	Straight 33" Nom., Adder
4	BWG400-F2-XX-XX-X-XX-X-AD	Filler 17-3/4" – 23-1/4" size, Adder
5	BWG400-CI135-XX-XX-X-XX-X	135° Insider Corner
6	BWG400-33-XX-XX-X-XX-X-AD	Straight 33" Nom., Adder
7	BWG400-F1-XX-XX-X-XX-X-AD	Filler 12-1/4" – 17-3/4" size, Adder
8	BWG400-CO135-XX-XX-X-XX-X	135° Outsider Corner
9	BWG400-F1-XX-XX-X-XX-X-TR	Filler 12-1/4" – 17-3/4" size, Terminator