

BSW214 | FATHOM

3" wide LED luminaire with flush lens, outdoor locations



Project: _____ Type: _____



FEATURES

The BSW214 is a linear LED luminaire for outdoor lighting applications. The 3" square extrusion is fitted with a flush, frosted lens and machined aluminum end caps.

SPECIFICATIONS

Fixture constructed of an extruded aluminum housing, extruded, frosted acrylic lens and machined aluminum end caps.

Standard finishes as shown below.

Available for surface or wall mounting in nominal lengths of 2'-8' single fixtures and continuous runs.

Housing provided with a Ø7/8" hole for back feeding.

Standard integral 120-277V wet location driver offered with 0-10V dimming or non-dim.

Standard output is 650 lumens per foot.

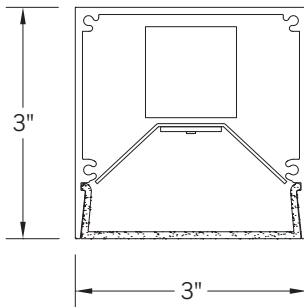
LEDs available in 2700K, 3000K, 3500K and 4000K, within a 3 step MacAdam ellipse, all with 90+ CRI typical.

Life: 50,000 hours L₇₀.

Limited five year warranty.

UL and C-UL listed for wet locations.

SECTION



PERFORMANCE

NOMINAL LENGTH	OUTPUT	LUMENS/ft.	WATTS/ft.	LUMINAIRE LUMENS	EFFICACY (LPW)
4'	R: regular	650	5.7	2622	113

Note: All data reflects fixtures with 3500K LEDs.



BSW214 -

NOMINAL FIXTURE LENGTH*

- 2: 24-5/8"
- 3: 36-5/8"
- 4: 48-5/8"
- 5: 60-5/8"
- 6: 72-5/8"
- 7: 84-5/8"
- 8: 96-5/8"

CORRELATED COLOR TEMPERATURE

- 27: 2700K-90+ CRI
- 30: 3000K-90+ CRI
- 35: 3500K-90+ CRI
- 40: 4000K-90+ CRI

DRIVER

- IN: non-dimming
- ID: 0-10V dimming, 5%

LIGHT OUTPUT (lumens per foot)

- R: regular - 650

MOUNT

- SM: surface mount
- WD: wall mount - direct
- WI: wall mount - indirect

RUN CONFIGURATION

- SN: single
- ST: starter
- AD: adder
- TR: terminator

FINISH

- AW: architectural white (semi-matte)
- WH: white (semi-gloss)
- BL: black (semi-matte)
- MB: matte black
- ESS: environmental satin silver
- BZ: bronze
- PR: primer
- CF: consult factory for custom finish

* Actual dimension dependent on run configuration.

MOUNTING

	ORDERING CODE	DESCRIPTION
	SM	<p>SURFACE MOUNT</p> <ul style="list-style-type: none"> • Use appropriate fastener through $\text{Ø}3/16''$ holes in housing. • Power entry through $\text{Ø}7/8''$ hole on the back at an end.
<p>Power feed end shown</p>	WD	<p>WALL MOUNT – DIRECT ORIENTATION</p> <ul style="list-style-type: none"> • 1-7/8" H x 4-1/2" W aluminum bracket projects the fixture housing 3/4" from the wall surface. • Power feed mounting point includes a 1/16" aluminum plate for interfacing with a single gang outdoor electrical box. • Bracket finish matches fixture finish.
<p>Non-power feed end shown</p>	WI	<p>WALL MOUNT – INDIRECT ORIENTATION</p> <ul style="list-style-type: none"> • 1-7/8" H x 4-1/2" W aluminum bracket projects the fixture housing 3/4" from the wall surface. • Power feed mounting point includes a 1/16" aluminum plate for interfacing with a single gang outdoor electrical box. • Bracket finish matches fixture finish.

EPA CALCULATIONS

EFFECTIVE PROJECTED AREA

LENGTH ORDER CODE	EPA
2	0.99 ft ²
3	1.46 ft ²
4	1.94 ft ²
5	2.42 ft ²
6	2.89 ft ²
7	3.36 ft ²
8	3.84 ft ²

LENGTH / MOUNTING DIMENSIONS

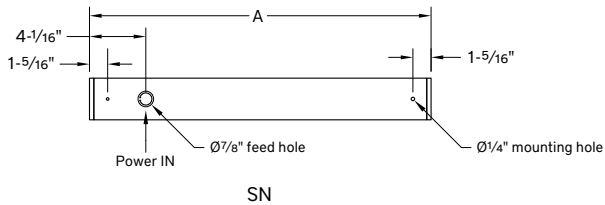
ORDERING CODE	LENGTH A	LENGTH B	LENGTH C
2	24-5/8"	24-5/16"	24"
3	36-5/8"	36-5/16"	36"
4	48-5/8"	48-5/16"	48"
5	60-5/8"	60-5/16"	60"
6	72-5/8"	72-5/16"	72"
7	84-5/8"	84-5/16"	84"
8	96-5/8"	96-5/16"	96"

RUN CONFIGURATION INFORMATION

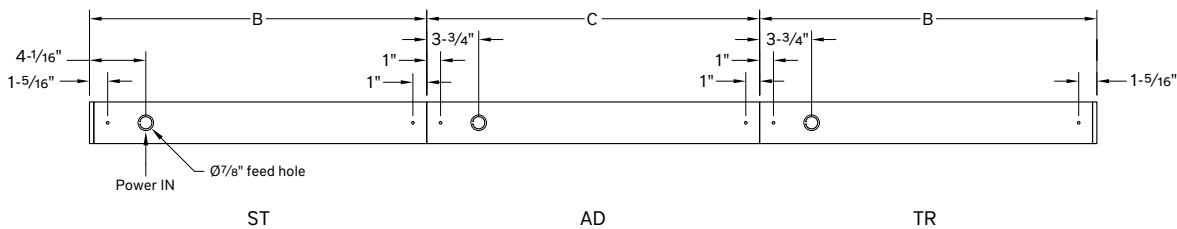
ORDERING CODE	DESCRIPTION
SN	Single
ST	Starter
AD	Adder
TR	Terminator

RUN INFORMATION

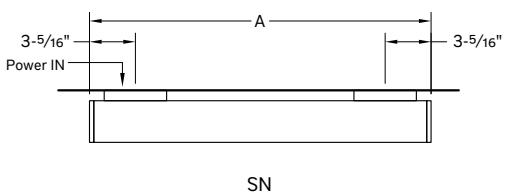
Back Plan - Surface Mount Single Fixture Option



Back Plan - Surface Mount Continuous Run Option



Plan - Wall Mount Single Fixture Option



Plan - Wall Mount Continuous Run Option

